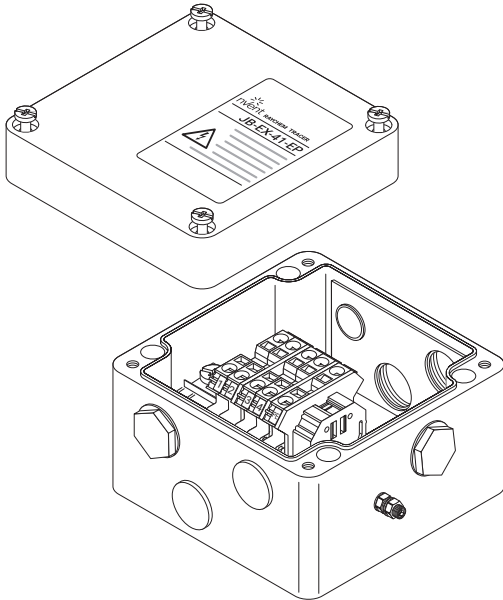


## MULTI PURPOSE JUNCTION BOX



Industrial polyester junction box with earth plate for use in hazardous areas. This box can be used to make connections between power cables, heating cables and cold lead cables using M25 metallic connection kits or glands. Earthing of the connections is realized via the earth plate

Depending on the configuration of the system, the box can accommodate 6 cold lead entries and/or a power cable.

M25 connection kits have to be ordered separately or are integrated in the heating unit (eg MI heating units), depending on the type of heating cable being used. Cable connection is accomplished via DIN rail mounted spring-type terminals.

The box can be either wall or pipe mounted via the four holes moulded in the base of the box. For pipe mounting use one of the standard support bracket.

### TYPICAL USE

Power supply box, (power) splice box, (power) tee box, marshalling box.

### ENTRIES

6 x M25  
1 x M25

### KIT CONTENTS

1 x junction box with terminals on DIN rail  
3 x M25 stopping plugs  
4 x M25 rain plug [temporary]

### APPROVALS

PTB 00 ATEX 1002

 II 2G Ex edm ia [ia] IIC T6, T5 and T4  
 II 2D Ex tD A21 IP66 T85°C, T100°C and T135°C

IECEX PTB 08.0004

Ex e ia II, IIC T6, T5, T4  
Ex tD A21 IP66 T 85°C, T 100°C, T 135°C



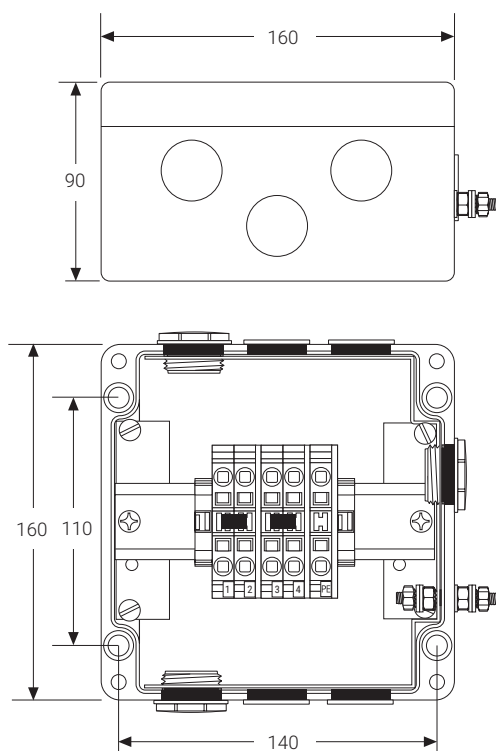
№ EAЭC RU C-BE.MIЮ62.B.00879/19  
000 «ПРОММАШ ТЕСТ»  
1 Ex e IIC T6 Gb  
Ex tb IIIC T85°C Db

## MATERIALS OF CONSTRUCTION

Box & lid	Electrostatic charge-resistant glass-filled engineered polymer, black
Sealing gasket	Silicone rubber
Lid fixing screws	Stainless steel (captive)

## DIMENSIONS (IN MM)

### JB-EX-41



## INGRESS PROTECTION

IP66

## AMBIENT TEMPERATURE RANGE

-55°C to +55°C

## TERMINALS

Quantity	5 pcs, bridged per 2
Type	Spring-type
Labeling	1, 2, 3, 4, PE
Maximum conductor size	10 mm <sup>2</sup> (solid & stranded)
Maximum operating voltage	550 Vac
Maximum operating current	53 A

## ACCESSORIES (TO BE ORDERED SEPARATELY)

Support bracket	SB-100, SB-101, SB-130 (for fixation to cable tray)
Gland for MI cold leads	Integrated in MI heating unit or contact nVent for more information
Gland for power cable	GL-55-M25 (Polyamide) GL-38-M25-METAL (Ni plated brass)
Loose terminals (*)	Phase/neutral terminal: HWA-WAGO-PHASE Earth terminal: HWA-WAGO-EARTH End plate: HWA-WAGO-ENDPLATE Terminal jumper: HWA-WAGO-JUMPER

## ORDERING DETAILS

Order reference	JB-EX-41-EP
Part number (Weight)	1244-020506 (1.9 kg)

(\*) in total no more than 7 terminals should be installed.

**North America**

Tel +1.800.545.6258  
Fax +1.800.527.5703  
thermal.info@nVent.com

**Europe, Middle East, Africa**

Tel +32.16.213.511  
Fax +32.16.213.604  
thermal.info@nVent.com

**Asia Pacific**

Tel +86.21.2412.1688  
Fax +86.21.5426.3167  
cn.thermal.info@nVent.com

**Latin America**

Tel +1.713.868.4800  
Fax +1.713.868.2333  
thermal.info@nVent.com



[nVent.com](http://nVent.com)

Our powerful portfolio of brands:

**CADDY ERICO HOFFMAN RAYCHEM SCHROFF TRACER**