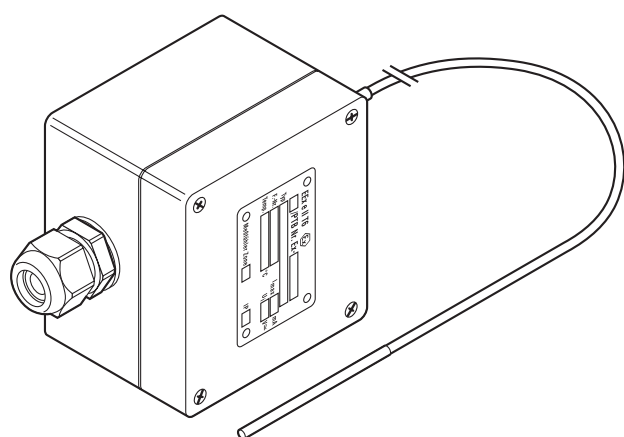


Temperature Sensor for ATEX / IEC EX ZONE2 Hazardous Areas



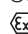
3 wire nVent RAYCHEM Pt 100 sensor connected to a black glass fiber reinforced polyester junction box with 4 front entry spring-type terminals. The M20 Ex e cable gland is preinstalled.

AREA OF USE

Hazardous environment Zone 2 and Zone 22 / Safe Area

APPROVALS

SGS20ATEX0078X

 II 3 GD

Ex ec IIC T6...T1 Gc

Ex tc IIIC T85°C...T600°C Dc

Tamb -50°C to +60°C IP66

IECEX BAS 20.0034X

Ex ec IIC T6...T1 Gc

Ex tc IIIC T85°C...T600°C Dc

Tamb -50°C to +60°C IP66

SENSOR

Type	Pt 100 (3 wire) EN 60751, Class B.
Material	Extension cable and tip both stainless steel (MI)
Temperature measuring range	-200°C to +600°C; Connection of part temperature sensor element shall not overstep +85°C
Maximum exposure temp. tip	+600°C
Length	2 m
Diameter	ca 3 mm
Minimum bending radius	Extension cable: 20 mm, the measuring tip should not be bent

ENCLOSURE

Material	Glass fiber reinforced polyester (black)
Ingress protection	IP66
Dimensions	Width = 80 mm Height = 75 mm Depth = 55 mm
Cable entry	M20 (Ex e) suitable for cable diameters ranging from 10 mm to 14 mm
Operating temperature	-50°C to +60°C
Sealing gasket material	Tongue and groove system with silicone seal
Cover screws	Stainless steel M4 threaded
Mounting	For pipe mount use JB-SB-26; For wall mount use molded holes (68 x 45 mm)

INSTALLATION AND CONNECTION

Terminals	4 front entry spring-type terminals
Terminal sizing	Suitable for cables from 0.5 mm ² to 2.5 mm ²

ORDERING DETAILS

Part Description	SIND-20-5256 / MONI-PT100-EXE-Z2
PN (Weight)	1200-000525 (0.44 kg)

North America

Tel +1.800.545.6258
Fax +1.800.527.5703
thermal.info@nVent.com

Europe, Middle East, Africa

Tel +32.16.213.502
Fax +32.16.213.604
thermal.info@nVent.com

Asia Pacific

Tel +86.21.2412.1688
Fax +86.21.5426.3167
cn.thermal.info@nVent.com

Latin America

Tel +1.713.868.4800
Fax +1.713.868.2333
thermal.info@nVent.com



Our powerful portfolio of brands:

CADDY ERICO HOFFMAN RAYCHEM SCHROFF TRACER