



RIM-DrainTrace-KIT

The nVent RAYCHEM RIM-DrainTrace-KIT provides an **all-in-one solution** to keep your roof drain snow and ice free, avoiding any unpleasant surprises due to snow and ice build up during the toughest winter period.

The RIM-DrainTrace-KIT can be **retrofitted to existing roof drains**, avoiding costly replacement works to existing roof drains. Its **unique design** allows the melt water to run more easily towards the roof drain and avoids ice dams around the drain. The pre-kitted solution comes with a **high quality self-regulating heating cable** with a factory installed and quality controlled cold lead connection and end termination avoiding any risk of errors on this crucial connection and **providing piece of mind to the roofing contractor**.

WHAT'S IN IT FOR THE INSTALLER?

1. RETROFIT SOLUTION

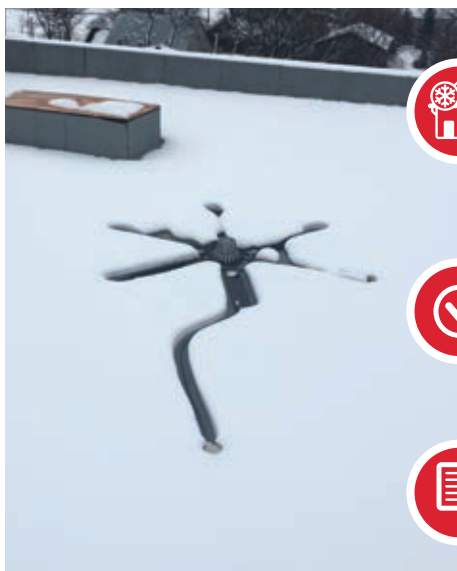
RIM-DrainTrace system can be placed on an existing roof drain avoiding additional labour costs by replacing the existing drain.

2. UNIQUE DESIGN

The uniquely designed star-shaped aluminum plates provide ice free drainage paths to guide the melt water easily to the drain avoiding any ice formation around the drain.

3. PEACE OF MIND

RIM-DrainTrace-KIT comes in an all-in-one kit. It contains the star-shaped drain paths, a pre-terminated self-regulating GM-2XT cable and a pre-connected cold lead.



#1 IN WINTER SAFETY

The RIM-DrainTrace-KIT product is specifically designed and developed for the Electrical and Roofing Specialist who wants to bring the best quality and safety to his customers during the toughest winter days. Your safety is our concern.

QUALITY ASSURED

All components, connections and terminations have been QA tested and approved in the manufacturing facility according to the latest standards of guarantee and regulations.

WARRANTY

To underline our confidence in the quality of our products, nVent also offers an extended product warranty of 10 years when registered and up to 12 years when installed by a nVent RAYCHEM Certified PRO installer.

WHAT'S IN THE BOX?



FULL DRAIN SYSTEM KIT:

- 1x Aluminum center ring
- 6x Aluminum RIM-C panels
- Pre-terminated 16m GM-2XT self-regulating heating cable with pre-connected 8m cold lead (3x1,5mm²)



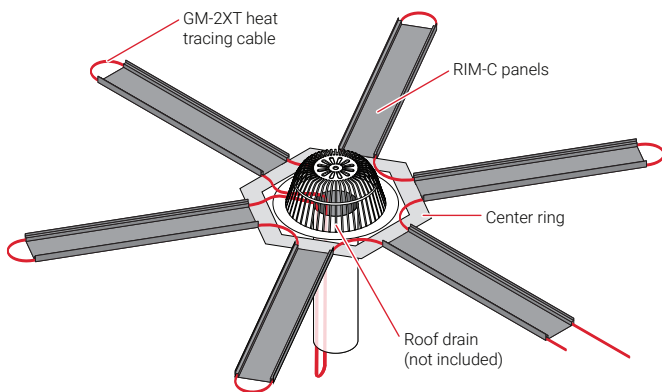
DOCUMENTATION

- Multilingual step by step installation manual

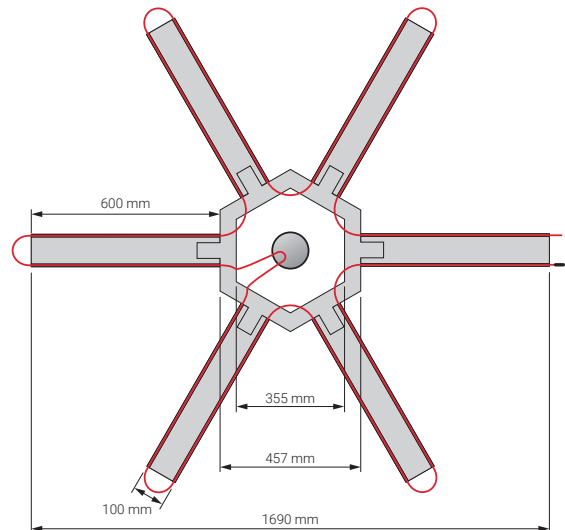
SPECIFICATION

System	Fully snap-fit system with no need for rivets/ screws/ nails/ adhesive and with minimal number of assembly steps required in the field
Material Selection	Kynar® painted aluminum
Color Selection	Matte Black
Contents	Aluminum center ring with tabs, RIM-C channel panels, GM-2XT heat tracing cable, 16 m, pre-terminated cold lead 8 m length, 3 x 1,5 mm ²
Heat Trace Cable Supplied	GM-2XT for 230 VAC applications
Dimensions	Inner size of center ring: 355 mm Channel panel length: 600mm
PCN	1244-022477

RIM DrainTrace (RIM-DT-KIT)



Dimensions (nominal)



UNITED KINGDOM

Tel: 0800 969 013 | Fax: 0800 968 624
salesthermalUK@nVent.com

IRELAND

Tel: 1800 654 241 | Fax: 800 654 240
salesIE@nVent.com

nVent.com/RAYCHEM

RAYCHEM