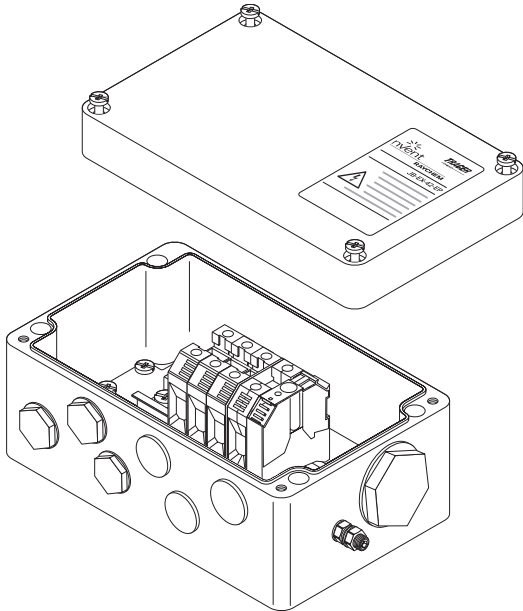


MULTI PURPOSE JUNCTION BOX



Industrial polyester junction box with earth plate for use in hazardous areas. This box can be used to make connections between power cables, heating cables and cold lead cables using M25 metallic connection kits or glands. Earthing of the connections is realized via the earth plate

Depending on the configuration of the system, the box can accommodate 6 cold lead entries and/or a power cable.

M25 connection kits have to be ordered separately or are integrated in the heating unit (eg MI heating units), depending on the type of heating cable being used. Cable connection is accomplished via DIN rail mounted spring-type terminals.

The box can be either wall or pipe mounted via the four holes moulded in the base of the box. For pipe mounting use one of the standard support bracket.

TYPICAL USE

Power supply box, end-box (3-Phase), (power) splice box, (power) tee box, marshalling box.

ENTRIES



6 x M25
1 x M40

KIT CONTENTS

1 x junction box with terminals on DIN rail
3 x M25 stopping plugs
3 x M25 rain plug (temporary)
1 x M40 stopping plug

APPROVALS

PTB 00 ATEX 1002

 II 2G Ex edm ia [ia] IIC T6, T5 and T4
 II 2D Ex tD A21 IP66 T85°C, T100°C and T135°C

IECEX PTB 08.0004

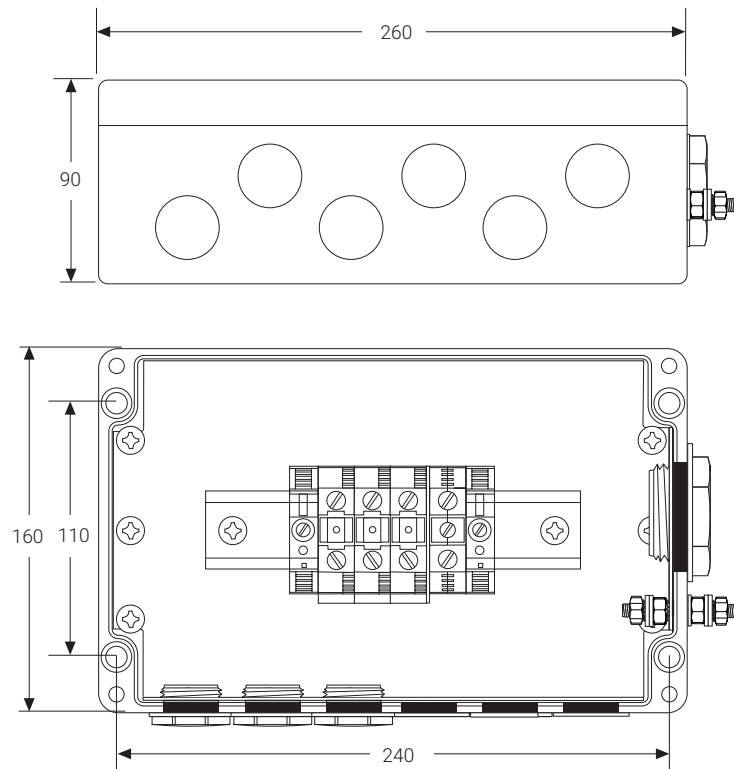
Ex e ia II, IIC T6, T5, T4
Ex tD A21 IP66 T 85°C, T 100°C, T 135°C



Nº EAЭC RU C-BE.MI062.B.00879/19
ООО «ПРОММАШ ТЕСТ»
1 Ex e IIC T6 Gb
Ex tb IIIC T85°C Db

MATERIALS OF CONSTRUCTION

| | |
|-------------------|---|
| Box & lid | Electrostatic charge-resistant glass-filled engineered polymer, black |
| Sealing gasket | Silicone rubber |
| Lid fixing screws | Stainless steel (captive) |

DIMENSIONS (IN MM)**JB-EX-42****INGRESS PROTECTION**

IP66

AMBIENT TEMPERATURE RANGE

-55°C to +55°C

TERMINALS

| | |
|---------------------------|--|
| Quantity and Type | 3 pcs WDU35 screw terminals |
| | 1 pc WPE35 earth terminal for power cable |
| | Junction box can accommodate up to 6 fully loaded phase/neutral terminals (maximum 8 terminals in total) |
| Labeling | 1, 2, 3 + PE |
| Minimum conductor size | 2.5 mm ² (solid & stranded) |
| Maximum conductor size | 35 mm ² (solid & stranded) |
| Maximum operating voltage | 690 Vac |
| Maximum operating current | 100 A |

ACCESSORIES (TO BE ORDERED SEPARATELY)

| | |
|-------------------------|---|
| Support bracket | 2 x SB-111 |
| Gland for MI cold leads | Integrated in MI heating unit or contact nVent for more information |
| Gland for power cable | GL-51-M40 (Polyamide) |
| Loose terminals (*) | 35 mm ² phase/neutral terminal: HWA-WDM-PHASE-35 |
| | 35 mm ² earth terminal: HWA-WDM-EARTH-35 |
| | Endplate: HWA-WDM-PLATE |
| | Terminal jumper (2): HWA-WDM-JUMPER-35-2 |
| | Terminal jumper (3): HWA-WDM-JUMPER-35-3 |
| Gland for MI cold leads | In case of factory terminated units, already present. |

ORDERING DETAILS

| | |
|----------------------|--------------------|
| Order reference | JB-EX-42-EP |
| Part number (Weight) | 1244-020507 (2 kg) |

(*) in total no more than 8 terminals should be installed.

North America

Tel +1.800.545.6258
Fax +1.800.527.5703
thermal.info@nVent.com

Europe, Middle East, Africa

Tel +32.16.213.511
Fax +32.16.213.604
thermal.info@nVent.com

Asia Pacific

Tel +86.21.2412.1688
Fax +86.21.5426.3167
cn.thermal.info@nVent.com

Latin America

Tel +1.713.868.4800
Fax +1.713.868.2333
thermal.info@nVent.com



nVent.com

Our powerful portfolio of brands:

CADDY ERICO HOFFMAN RAYCHEM SCHROFF TRACER