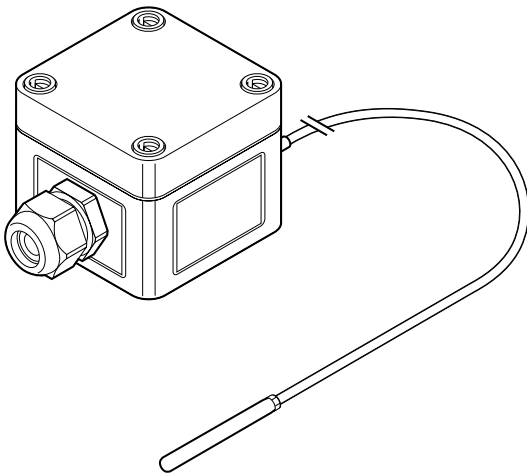


TEMPERATURE SENSOR FOR ORDINARY AREA



2 wire nVent RAYCHEM PT 100 sensor with glass fiber reinforced polycarbonate junction box for installation in ordinary area.

AREA OF USE

Ordinary area

SENSOR

Type	Pt 100 (2 wire) DIN IEC 751, Class B
Material	Tip: stainless steel Extension cable: silicone
Temperature measuring range	-50°C to +180°C
Temperature range extension cable	-50°C to +180°C (+215°C maximum 1000 hrs), max. exposure temp. tip: +400°C
Length	2 m
Diameter	Extension cable ca 4.6 mm, tip ca 6.0 mm
Minimum bending radius	Extension cable: 5 mm, the measuring tip should not be bent

ENCLOSURE

Ingress protection	IP66
Material	Glass fiber reinforced polycarbonate (gray)
Dimensions	With = 65 mm Height = 65 mm Depth = 57 mm
Cable gland	M20 (polyamide) suitable for cable diameters ranging from 10 mm to 14 mm
Operating temperature	-30°C to +80°C
Lid sealing gasket material	CFC-free Polyurethane
Cover screws	Plastic
Mounting	For pipe mount use JB-SB-26 wall mount surface mount via moulded holes at 50 x 50 mm

INSTALLATION AND CONNECTION

Terminals	3 front entry spring-type terminals (terminals 2 and 3 are bridged)
Terminal sizing	Terminals suitable for cables from 0.15 mm to 2.5 mm ²

ORDERING DETAILS

Part Description	MONI-PT100-NH
PN (Weight)	140910-000 (0.22 kg)

North America

Tel +1.800.545.6258
Fax +1.800.527.5703
thermal.info@nVent.com

Europe, Middle East, Africa

Tel +32.16.213.502
Fax +32.16.213.604
thermal.info@nVent.com

Asia Pacific

Tel +86.21.2412.1688
Fax +86.21.5426.3167
cn.thermal.info@nVent.com

Latin America

Tel +1.713.868.4800
Fax +1.713.868.2333
thermal.info@nVent.com



nVent.com

Our powerful portfolio of brands:

CADDY ERICO HOFFMAN RAYCHEM SCHROFF TRACER