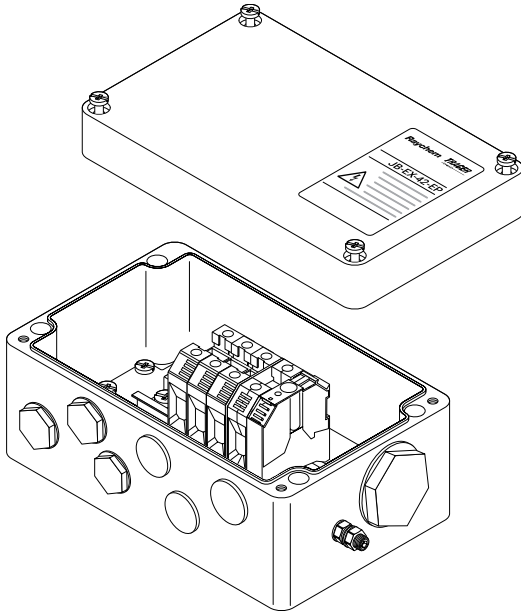


MULTI PURPOSE JUNCTION BOX



Industrial polyester junction box with earth plate for use in hazardous areas. This box can be used to make connections between power cables, heating cables and cold lead cables using M25 metallic connection kits or glands. Earthing of the connections is realized via the earth plate

Depending on the configuration of the system, the box can accommodate 3 heating cables/cold leads and a power cable.

M25 connection kits have to be ordered separately or are integrated in the heating unit (eg MI heating units), depending on the type of heating cable being used. Cable connection is accomplished via DIN rail mounted spring-type terminals.

The box can be either wall or pipe mounted via the four holes moulded in the base of the box. For pipe mounting use one of the standard support bracket.

TYPICAL USE

Power supply box, end-box (3-Phase), marshalling box.

ENTRIES



6 x M25
1 x M40

KIT CONTENTS

1 x junction box with terminals on DIN rail
3 x M25 stopping plugs
3 x M25 rain plug (temporary)
1 x M40 stopping plug

APPROVALS

PTB 00 ATEX 1002

 II 2G Ex edm ia [ia] IIC T6, T5 and T4
 II 2D Ex tD A21 IP66 T85°C, T100°C and T135°C

IECEX PTB 08.0004

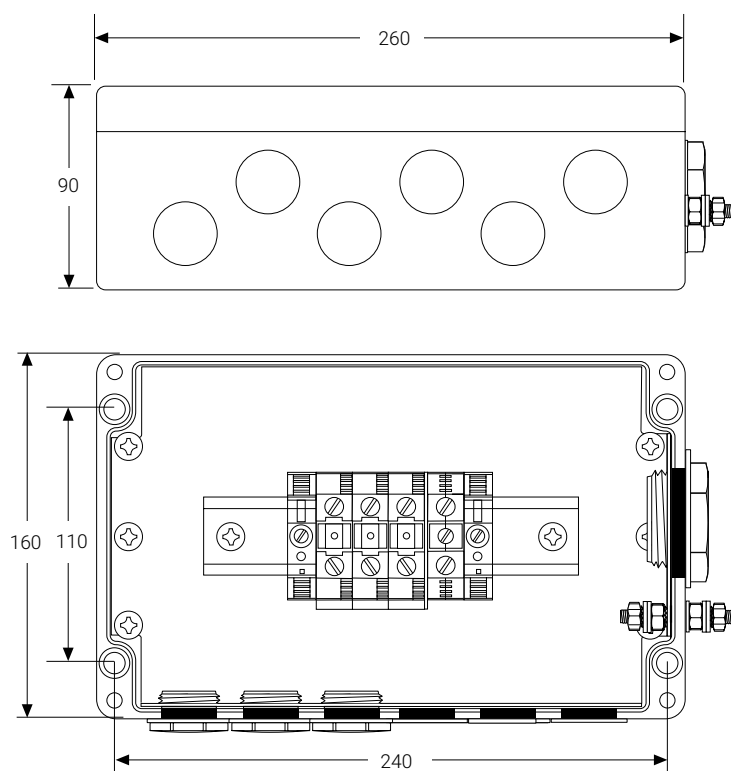
Ex e ia II, IIC T6, T5, T4
Ex tD A21 IP66 T 85°C, T 100°C, T 135°C



TC RU C-BE.MIO xx.Bxx
1Ex e d m ia [ia] IIC T6...T4

MATERIALS OF CONSTRUCTION

Box & lid	Electrostatic charge-resistant glass-filled engineered polymer, black
Sealing gasket	Silicone rubber
Lid fixing screws	Stainless steel (captive)

DIMENSIONS (IN MM)**JB-EX-42****INGRESS PROTECTION**

IP66

AMBIENT TEMPERATURE RANGE

-55°C to +55°C

TERMINALS

Quantity and Type	3 pcs WDU35 screw terminals 1 pc WPE35 earth terminal for power cable
	Junction box can accommodate up to 6 fully loaded phase/neutral terminals (maximum 8 terminals in total)
Labeling	1, 2, 3 + PE
Minimum conductor size	2.5 mm ² (solid & stranded)
Maximum conductor size	35 mm ² (solid & stranded)
Maximum operating voltage	690 Vac
Maximum operating current	100 A

ACCESSORIES (TO BE ORDERED SEPARATELY)

Support bracket	2 x SB-111
Gland for MI cold leads	Integrated in MI heating unit or contact nVent for more information
Gland for power cable	GL-38-M25-METAL (optional)
Loose terminals (*)	35 mm ² phase/neutral terminal: HWA-WDM-PHASE-35 35 mm ² earth terminal: HWA-WDM-EARTH-35 Endplate: HWA-WDM-PLATE Terminal jumper (2): HWA-WDM-JUMPER-35-2 Terminal jumper (3): HWA-WDM-JUMPER-35-3
Gland for MI cold leads	In case of factory terminated units, already present.

ORDERING DETAILS

Order reference	JB-EX-42-EP
Part number (Weight)	1244-020507 (2 kg)

(*) in total no more than 8 terminals should be installed.

North America

Tel +1.800.545.6258
Fax +1.800.527.5703
info@nVent.com

Europe, Middle East, Africa

Tel +32.16.213.511
Fax +32.16.213.604
info@nVent.com

Asia Pacific

Tel +86.21.2412.1688
Fax +86.21.5426.3167
cn.info@nVent.com

Latin America

Tel +1.713.868.4800
Fax +1.713.868.2333
info@nVent.com



nVent.com

Our powerful portfolio of brands:

CADDY ERICO HOFFMAN RAYCHEM SCHROFF TRACER