

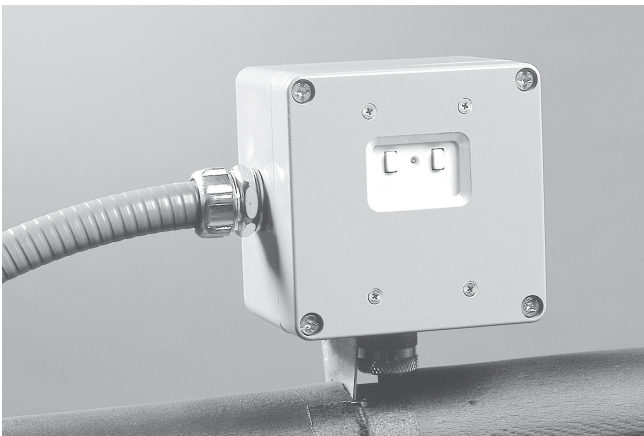
H921



nVent

RAYCHEM

120 V GROUND-FAULT PROTECTED JUNCTION BOX KIT OUTDOOR-RATED GROUND-FAULT PROTECTION FOR HEATING CABLES



PRODUCT OVERVIEW

The nVent RAYCHEM H921 provides ground fault protection for 120 V RAYCHEM electric heating cables used for pipe freeze protection or roof and gutter de-icing.

The H921 must be used with the H900 Power Connection Kit. Together they provide convenient hardwire connection and ground-fault protection as required by the national electrical codes. Rated 20 A, 120 V, the H921 ground-fault protected junction box is a NEMA 3 (raintight) enclosure. Its features include test and reset buttons, automatic reset in the event of a power interruption, and open neutral protection. Its signal light indicates that the system is powered.

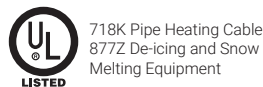
De-ices roofs, gutters, and downspouts

Use with WinterGard Wet H612 heating cable on roofs, gutters, and downspouts to prevent ice and snow buildup problems.

Protects pipes from freezing

Use with 120 V WinterGard and WinterGardPlus heating cables to protect metal and plastic pipes in indoor or weatherproofed outdoor unheated areas.

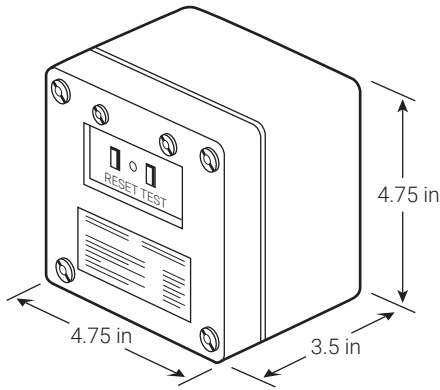
Use with WinterGard Wet H612 heating cable to prevent freezing of outdoor pipes and faucets.



DESCRIPTION

The H921 is a 120 V ground-fault equipment protection device. It contains an equipment leakage circuit interrupter (ELCI) that has a 27-mA trip level. The H921 is for use in conjunction with the H900 Power Connection Kit and the H311, H611, or H612 self-regulating cables.

The H921 is for use in ordinary areas and is rated NEMA 3 (raintight). The H921 can be used with one H900 power connection kit.



TECHNICAL SPECIFICATIONS

The 27-mA rated ELCI will trip whenever the fault current to ground is more than 27 mA. The device provides ground-fault protection of equipment only. It does not protect people against the hazards of electrical shock. For personnel shock protection, use a 5-mA ground-fault circuit interrupter (GFCI).

The ELCI in the H921 kit will minimize the risk of fire from sustained electrical arcing if the heating cable is improperly installed or damaged during use. The fault currents produced by this arcing may be too small to be stopped by conventional circuit breakers. The ELCI in the H921 kit, however, will sense these fault currents and shut off the power.

Note: The H921 requires a properly installed electrical ground.

WINTERGARD HEATING CABLE SPECIFICATIONS

	WinterGard	WinterGard Plus	WinterGard Wet	
Catalog number	H311	H611	H612	H612
Application	Pipes	Pipes	Pipes	Drains, roof, and gutters
Service voltage	120	120	120	120
Maximum circuit length at 40°F start-up (ft)	250	200	200	150
Maximum circuit length at 0°F start-up (ft)	200	160	160	125
Circuit breaker rating (A)	20	20	20	20
Thermal output at 40°F (W/ft)	3	6	6	8
Weight per 100 ft (lb)	6	6	9	9
Minimum installation temperature (°F)	0	0	0	0
Maximum exposure temperature (°F)	150	150	150	150
Environment	Use only in ordinary (nonhazardous) areas. Do not expose to chemicals.			

For complete design and installation information, consult the Application and Design Guide (H53585) or call nVent at (800) 545-6258.

North America

Tel +1.800.545.6258
Fax +1.800.527.5703
thermal.info@nvent.com

Europe, Middle East, Africa

Tel +32.16.213.511
Fax +32.16.213.604
thermal.info@nvent.com

Asia Pacific

Tel +86.21.2412.1688
Fax +86.21.5426.3167
cn.thermal.info@nvent.com

Latin America

Tel +1.713.868.4800
Fax +1.713.868.2333
thermal.info@nvent.com



nVent.com

Our powerful portfolio of brands:

CADDY ERICO HOFFMAN RAYCHEM SCHROFF TRACER