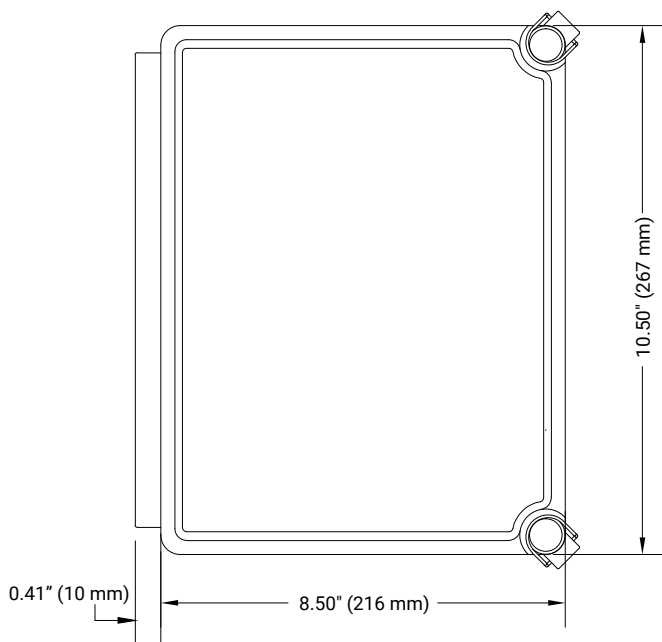


## MI POWER JUNCTION BOX JUNCTION BOX WITH PRE-DRILLED EARTHING PLATE FOR USE WITH MI HEATING UNITS



FRONT VIEW

### PRODUCT OVERVIEW

The efficient design and simple construction of these enclosures make them durable in corrosive environments, yet aesthetically pleasing.

Corner latches provide unobstructed access.

The continuous hinge pin provides a secure seal and double latching creates added security.

Typical uses include power, splice and end box for 3-phase system. It accommodates up to three power cables:

- One power cable in and up to three MI cables out
- One power cable in, one power cable out and two MI cables out
- Two D or E design MI cables in and two D or E design MI cables out (splice box)
- Three B design MI cables in and three B design MI cables out (splice box)

### CONSTRUCTION

- Compression molded fibreglass has outstanding chemical and temperature resistance qualities and exhibits excellent weatherability and physical properties
- Light gray finish inside and out. Gasket assures water-tight and dust-tight seal
- Polyester mounting tabs and stainless steel attachment screws are provided with each enclosure
- Two corrosion resistant polyester quick release latches are located in corners to provide unobstructed access to enclosure
- Removable hinged cover attached to body with stainless steel hinge pin
- Hinge pin and bail are corrosion resistant Type 316 stainless steel. Padlock provisions included in each latch
- Inside dimensions: 10" high x 8" wide x 6" deep (250 x 200 x 150 mm)
- Box includes earthing plate on three sides and back of box and is pre-punched for eleven 1/2" and eight 3/4" hubs
- Entries: Up to 11 x 1/2" and 8 x 3/4" - Use a step bit to drill out or enlarge any holes in fibreglass required for hubs/connectors

**APPROVALS**

CSA approved Type 4X enclosure and certified electrical assembly

Area classification - Hazardous locations CL I Division 2 (Zone 2), Groups A,B,C,D T5

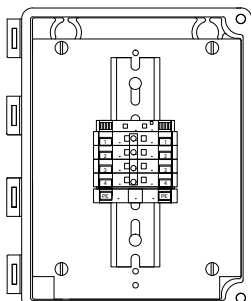
Enclosure type: Type 4X

Ambient temperature rating: -50°C to +40°C

Enclosure flammability evaluated per UL 508A



**ELECTRICAL SPECIFICATIONS**



Maximum operating voltage 600Vac

Maximum 65A per terminal, rated 18AWG to 6AWG

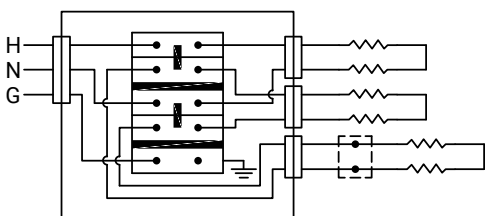
Order a separate MIJB-LPWR-KIT for #2 or #4AWG power cable to downsize to #6AWG but remain at 65A

Consider MI cold lead cable gland size, hub size and power cable size in selecting appropriate box

Power cable gland and hubs for MI cold lead glands not included

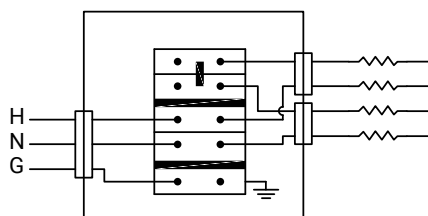
**TYPICAL ELECTRICAL CONNECTION OPTIONS**

MIJB-1086-A-PARALLEL

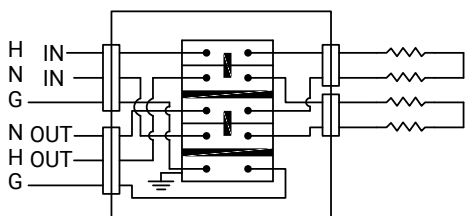


- USE WITH A, E OR D DESIGN MI CABLES.
- POWER WIRES TO BE FIELD ROUTED FROM MARSHALLING BOX TO INDIVIDUAL EHT POWER BOXES (I.E. MIJB-864-A-PWR, JBS, ETC...).

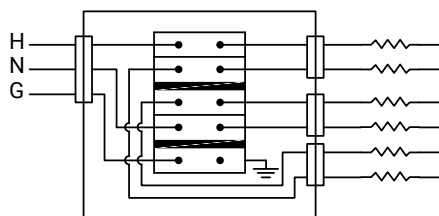
MIJB-1086-A-SERIES



- FIELD TO REMOVE ONE 2-POLE JUMPER AS SHOWN.
- USE WITH A, E OR D DESIGN MI CABLES.



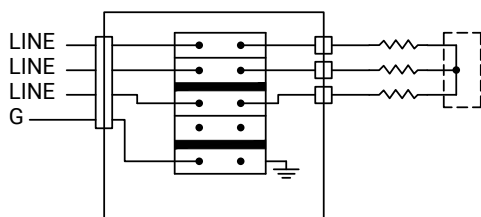
- USE WITH A, E OR D DESIGN MI CABLES.



- FIELD TO REMOVE TWO 2-POLE JUMPERS AS SHOWN.
- USE WITH A, E OR D DESIGN MI CABLES.

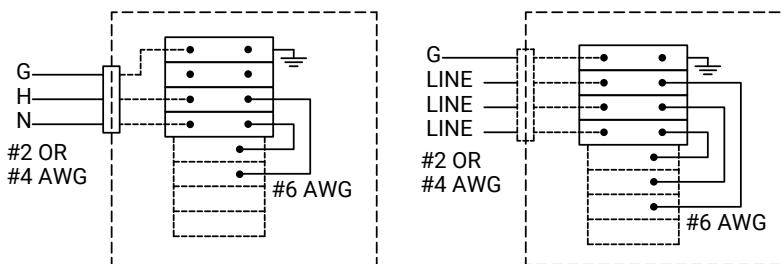
POWER CABLE DOWNSIZING OPTION:

MIJB-1086-A-3PWR



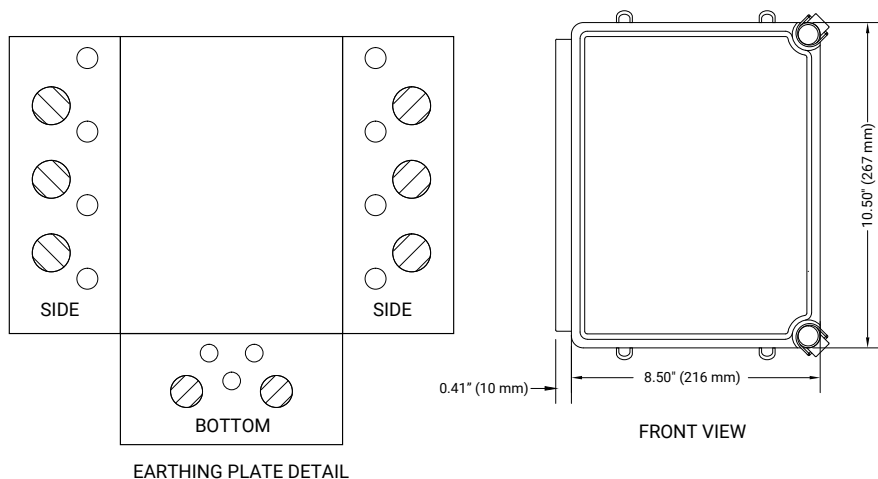
- FIELD TO REMOVE TWO 2-POLE JUMPERS AS SHOWN.
- USE WITH B DESIGN MI CABLES.
- USE A MIJB-864-A-STAR TO TERMINATE OR AN MIJB-864-A-SPLC TO CONTINUE THE 3-PHASE HEATER CABLE.

MIJB-LPWR-KIT



- USED TO DOWNSIZE #2 OR #4 AWG POWER CABLES.
- ORDER MIJB-LPWR-KIT SEPARATELY IF REQUIRED.
- CONSISTS OF 3 POWER TERMINAL BLOCKS, 1 GROUND TERMINAL BLOCK, AND #6 AWG JUMPER WIRES.

**ENCLOSURE DETAIL**



- Junction boxes can be mounted using holes in back and screws provided, or using four mounting tabs supplied
- Hinge can be moved to other side of box by rotating earthing plate 180°
- Earthing plate is fabricated from galvanized steel and is bonded to internal PE terminal block for bonding of hubs and connectors
- No bonding wires are required between the hubs, connectors and PE terminal blocks.

**EARTHING PLATE DETAIL**

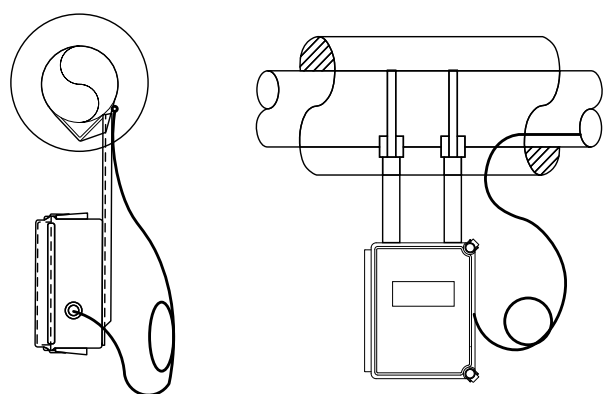
- 1-1/8" HOLE FOR 3/4" CONDUIT HUB/CONNECTOR
- 7/8" HOLE FOR 1/2" CONDUIT HUB/CONNECTOR

**GENERAL**

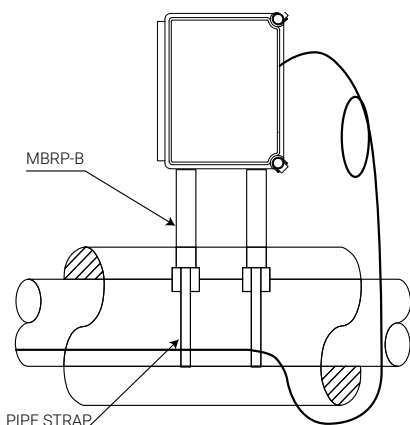
Lamacoids are not included.

Two mounting brackets (MBRP-B) and two pipe straps or alternate mounting method must be ordered separately for installation.

**ENCLOSURE MOUNTING BRACKET**

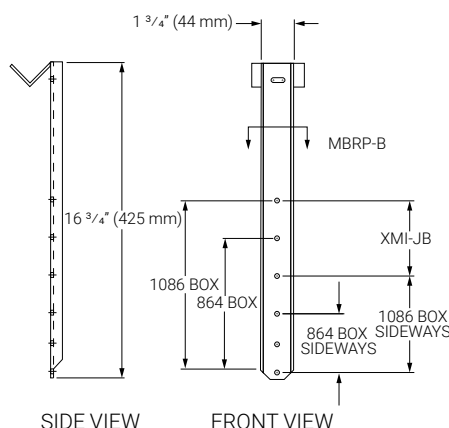


**BOTTOM MOUNT**



**MBRP-B Product Overview**

- Mounting bracket for MIJB series fiberglass enclosures which enables enclosure installation and connection prior to application of insulation and cladding
- Installation time reduction as electrician does not need to return after cladding is installed
- 304SS Stainless steel pipe support bracket for MIJB-864-A, nVent RAYCHEM MIJB-1086-A and MIJB-1086-B fiberglass enclosures
- Two brackets are required to support each enclosure. Each bracket requires one pipe strap
- Suitable for pipe temperatures up to 900°F (480°C)
- Stainless steel is a poor conductor of heat so the bracket is not hot or a heat sink



**ORDERING DETAILS**

Description	Catalog number	Part number	Weight/lbs
Enclosure	MIJB-1086-A	T0002053	8.00lbs
<b>Spare Parts and Accessories</b>			
Mounting Bracket for MIJB series fiberglass enclosures	MBRP-B	T0002003	1.1lbs
Terminal kit for MIJB-1086 model	MIJB-LPWR-KIT	T1005000	0.5lbs

**North America**

Tel +1.800.545.6258  
Fax +1.800.527.5703  
thermal.info@nvent.com

**Europe, Middle East, Africa**

Tel +32.16.213.511  
Fax +32.16.213.604  
thermal.info@nvent.com

**Asia Pacific**

Tel +86.21.2412.1688  
Fax +86.21.5426.3167  
cn.thermal.info@nvent.com

**Latin America**

Tel +1.713.868.4800  
Fax +1.713.868.2333  
thermal.info@nvent.com



[nVent.com](http://nVent.com)

Our powerful portfolio of brands:

**CADDY ERICO HOFFMAN RAYCHEM SCHROFF TRACER**