

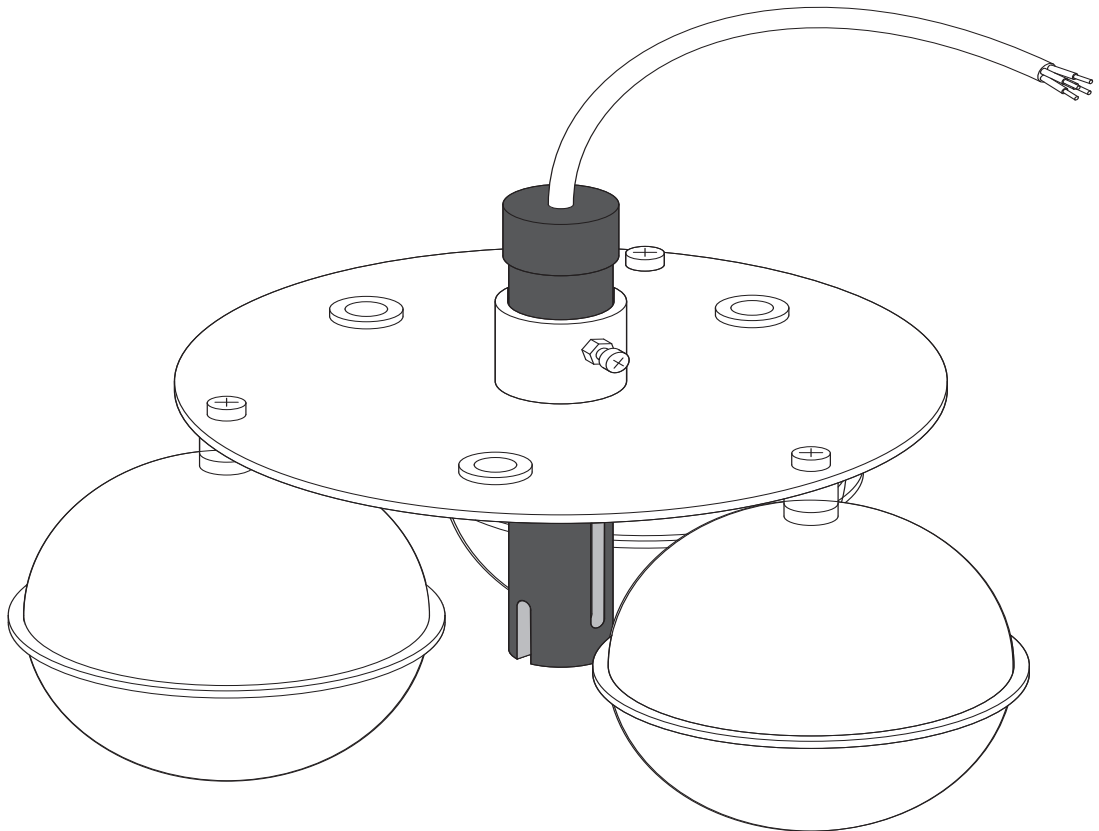


**RAYCHEM**  
TraceTek

# Fast Fuel Sensor and Float Assembly

## Installation Instructions

Before this product is put into use, be sure to read these instructions and become thoroughly acquainted with its contents in order to install and use this product correctly.



## INTRODUCTION

This document explains the procedure for installing nVent RAYCHEM TraceTek Fast Fuel Sensor, float assembly (part numbers 1244-004251 FLOAT-ASS-1M-LC-G1 and 1244-004252 FLOAT-ASS-2M-LC-G2) and associated wiring in order.

Be sure to carefully read this document in order to become thoroughly acquainted with its contents before installation.

It should be noted that, should this product be installed without observing the contents described in this document, our company cannot be responsible for problems caused by it.

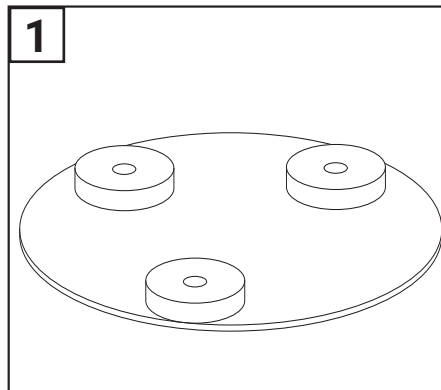
## GENERAL DESCRIPTION

The Fast Fuel Sensor is an oil leakage detector capable of detecting oil leakage, that is to be installed at the pit inside the oil retaining wall of a tank or at the drainage pit near a pump yard.

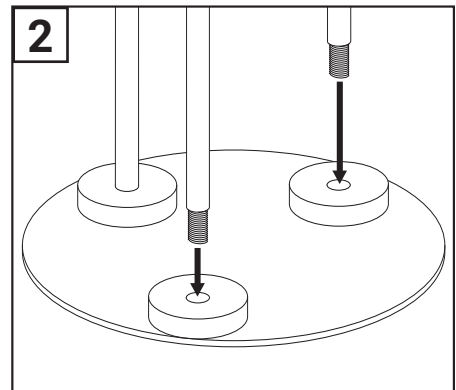
Accidents and destruction of the environment due to oil leakage as well as social loss caused thereby will be contained to the minimum level.

When the oil leakage detecting sensor of the Leak Catcher detects oil leakage, an alarm or an alarm contact will be output from the connected monitor.

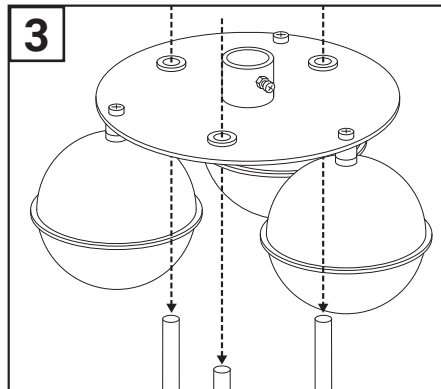
## ASSEMBLY INSTRUCTIONS



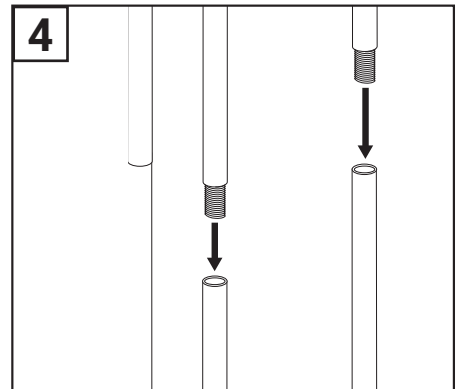
1 Place the bottom plate on the ground.



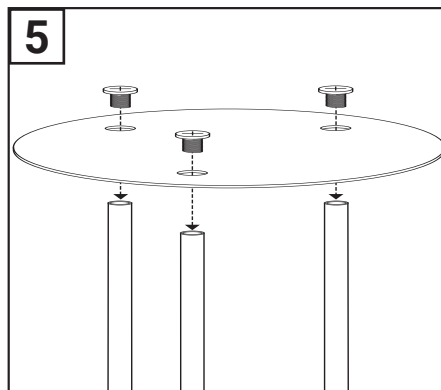
2 PScrew the three rods into the bottom plate.



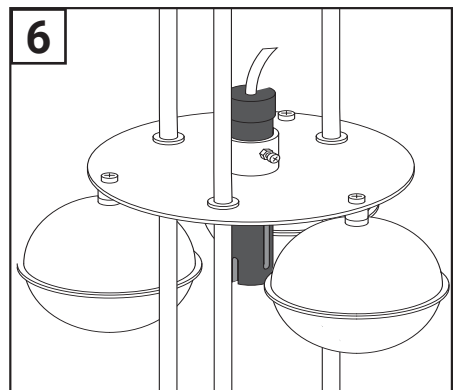
3 Position the floating balls with mounting plate over the rods.



4 Screw the upper rods to the lower tubes (for 2 metre versions).



5 Place the top plate with the shining side up and fix it with the 3 screws.

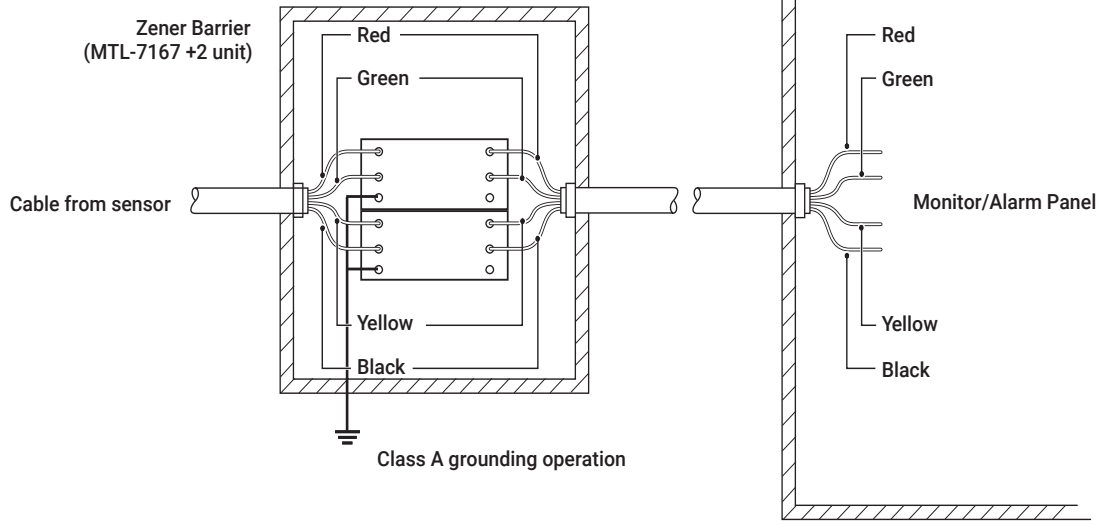


6 Install the FFS sensor into the floating construction.

WIRING DIAGRAMS FOR ATTACHING THE FAST FUEL SENSOR TO A MONITOR / ALARM PANEL

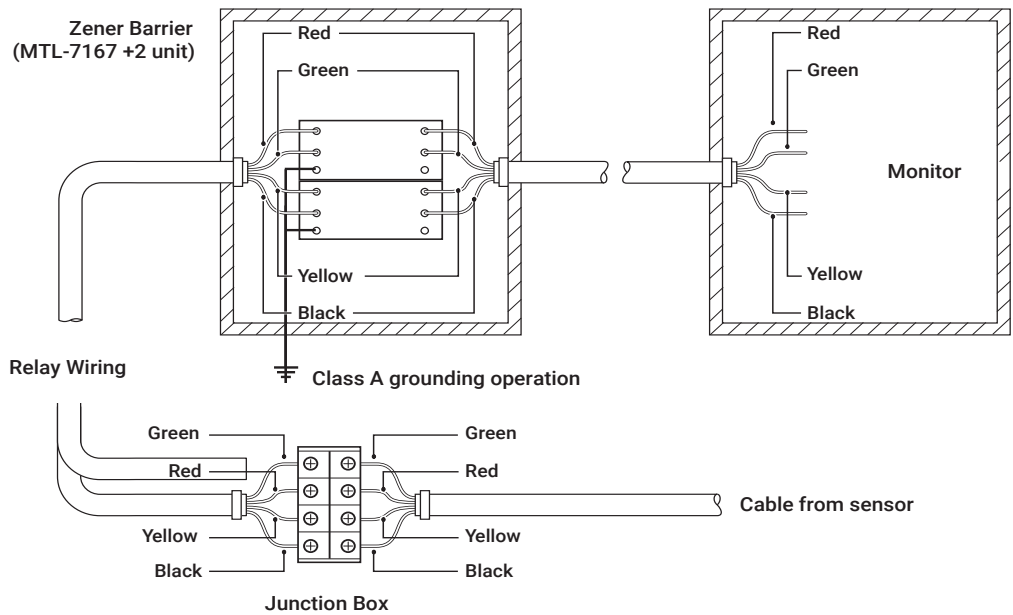
**A**

When wiring by attached cable (5 metre).



**B**

When wiring via relay wiring (0.5mm<sup>2</sup> four-core cab tire cable).



**België / Belgique**  
Tel +32 16 21 35 02  
Fax +32 16 21 36 04  
salesbelux@nvent.com

**Bulgaria**  
Tel +359 5686 6886  
Fax +359 5686 6886  
salesee@nvent.com

**Česká Republika**  
Tel +420 602 232 969  
czechinfo@nvent.com

**Danmark**  
Tel +45 70 11 04 00  
salesdk@nvent.com

**Deutschland**  
Tel 0800 1818205  
Fax 0800 1818204  
salesde@nvent.com

**España**  
Tel +34 911 59 30 60  
Fax +34 900 98 32 64  
ntm-sales-es@nvent.com

**France**  
Tél 0800 906045  
Fax 0800 906003  
salesfr@nvent.com

**Hrvatska**  
Tel +385 1 605 01 88  
Fax +385 1 605 01 88  
salesee@nvent.com

**Italia**  
Tel +39 02 577 61 51  
Fax +39 02 577 61 55 28  
salesit@nvent.com

**Lietuva/Latvija/Eesti**  
Tel +370 5 2136633  
Fax +370 5 2330084  
info.baltic@nvent.com

**Magyarország**  
Tel +381 230 401 770  
Fax +381 230 401 770  
salesee@nvent.com

**Nederland**  
Tel 0800 0224978  
Fax 0800 0224993  
salesnl@nvent.com

**Norge**  
Tel +47 66 81 79 90  
salesno@nvent.com

**Österreich**  
Tel +43 (2236) 860077  
Fax +43 (2236) 860077-5  
info-ntm-at@nvent.com

**Polska**  
Tel +48 22 331 29 50  
Fax +48 22 331 29 51  
salespl@nvent.com

**Republic of Kazakhstan**  
Tel +7 495 926 1885  
Fax +7 495 926 18 86  
saleskz@nvent.com

**Россия**  
Тел +7 495 926 18 85  
Факс +7 495 926 18 86  
salesru@nvent.com

**Serbia / Montenegro**  
Tel +381 230 401 770  
Fax +381 230 401 770  
salesee@nvent.com

**Schweiz / Suisse**  
Tel 0800 551 308  
Fax 0800 551 309  
info-ntm-ch@nvent.com

**Suomi**  
Puh 0800 11 67 99  
salesfi@nvent.com

**Sverige**  
Tel +46 31 335 58 00  
salesse@nvent.com

**Türkiye**  
Tel +90 560 977 6467  
Fax +32 16 21 36 04  
ntm-sales-tr@nvent.com

**United Kingdom**  
Tel 0800 969 013  
Fax 0800 968 624  
salesthermalUK@nvent.com



[nVent.com](http://nVent.com)