

Touchscreen Thermostat

DESCRIPTION



nVent RAYCHEM SENZ WIFI enabled programmable touchscreen thermostat for electrical underfloor heating. It combines app enabled remote control, voice control compatibility, ease of use and aesthetic design for maximum comfort from your underfloor heating.



Amazon, Alexa and all related logos are trademarks of Amazon.com, Inc. or its affiliates. Google and related marks and logos are trademarks of Google LLC.

PRODUCT PROPERTIES

Attractive design

- Flat front with full color capacitive touchscreen
- Unique nVent RAYCHEM look and feel
- Mountable as stand-alone thermostat or in single or multiple gang switch gear frames

Ease of use

- Swipe and touch navigation
- Big icons in the central menu
- Scroll for list selection
- Wheels for temperature selection

7 Operating modes

- 3 Economic programs
- 1 Constant mode
- 1 Flexible Boost (flexible and temporary override of economic or constant mode)
- 1 Holiday mode
- 1 OFF mode

Energy efficient

- 3 Economic programs to suit everyone's needs
- Smart and precise adaptive function
 - Calculates when to start heating to reach desired temperature when required
 - Adapts to the environment
 - Adapts to the floor construction
- Window open function
- Optimum heat management with 2 sensors (ambient & floor sensor)

Flexible

- Compatible with switch gear frames
- Compatible with a variety of floor sensors
- 3 Economic modes with flexible number of events per day

Wireless

- WiFi 802.11 b/g/n

PRODUCT PROPERTIES

REMOTE CONTROL

- Homeowners can monitor, control, and program their nVent RAYCHEM SENZ WIFI thermostat via the free SENZ-WIFI smartphone app (iOS and Android).
- Home owners can control their heating using the Amazon Alexa compatible smart speakers (for details on the setup also consult the document **EU1800**).
- Home owners can control their heating using the Google Assistant compatible smart speakers (for details on the setup also consult the document **EU1801**).
- System integrators can use the Open RESTful API documentation to develop custom integration to existing BMS systems. Full RestAPI documentation available on: <https://api.senzthermostat.nvent.com/>

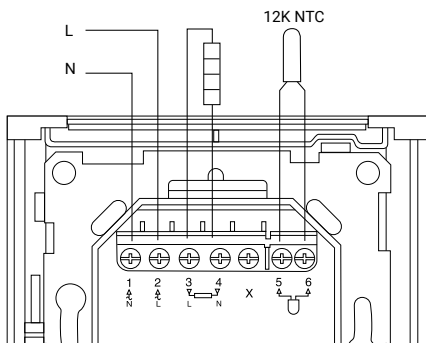
TECHNICAL DATA

Supply voltage	230 VAC (+10%/–15%), 50Hz
Relay output	Heating cable 230 V, max 13A (max 100 m T2Red)
Temperature range floor sensor	+5°C to +40°C
Temperature range room sensor	+5°C to +40°C
Limitation of range	Low +5°C / High +40°C
Ambient temperature-operation	0°C to +60°C
Ambient temperature-transport	–20°C to +70°C
Accuracy floor sensor	0.2°C in a range 0°C to + 40°C
Temperature control method	Pulse width modulation with Proportional integral control loop
Accuracy room sensor	0.2°C in a range 0°C to + 40°C
Control modes	Floor sensing Room sensing Room sensing with floor limiter No sensor
7 Operating modes	3 Fully programmable economic modes <ul style="list-style-type: none">– 1 to 7 events/day– 7 days/week– 1 temperature per event 1 Constant mode <ul style="list-style-type: none">– 1 set temperature 1 Flexible boost mode (temporary override of the programmable or constant modes) <ul style="list-style-type: none">– Adjustable temperature– Adjustable duration 1 Holiday mode <ul style="list-style-type: none">– Programmable in advance– Calendar based– Adaptable temperature 1 OFF mode <ul style="list-style-type: none">– Including frost protection option
Back-up for set values	Non-volatile memory
Back-up for time and date	Minimum 5 years of storage Minimum 10 years if powered 50% of the time
Protection class	IP21 Can be upgraded to IP44 using the accessory gasket (1244-017779 R-SEnz-ACC-IP44GASKET)
Wireless Standard	IEEE 802.11 b/g/n
Terminals	2,5 mm ² Screw cage clamp
Floor sensor	12kΩ @ 25°C +/- 0.75°C (no:38165)
Max length of floor sensor	100 m, 2 x 1.5 mm ² (230 VAC cable)
Diameter sensor cable	4.5 mm
Diameter sensor tip	5 mm
Compatibility with other sensors	2, 10, 12, 15, 33 & 100kΩ sensors
Dimension with nVent RAYCHEM frame	85.5 x 84.3 x 41.9 mm
Color Extra front	RAL9003
Approvals	CE, VDE

WIRING DIAGRAM

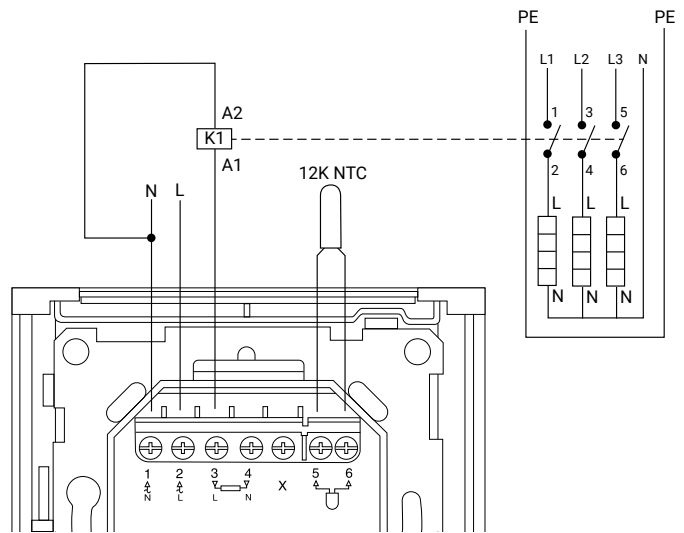
Direct connection (single heating circuit)

Heater circuit < 13 Amps constant wattage cable or maximum 100 meter of T2Red



Connection via contactor (multiple heating circuits)

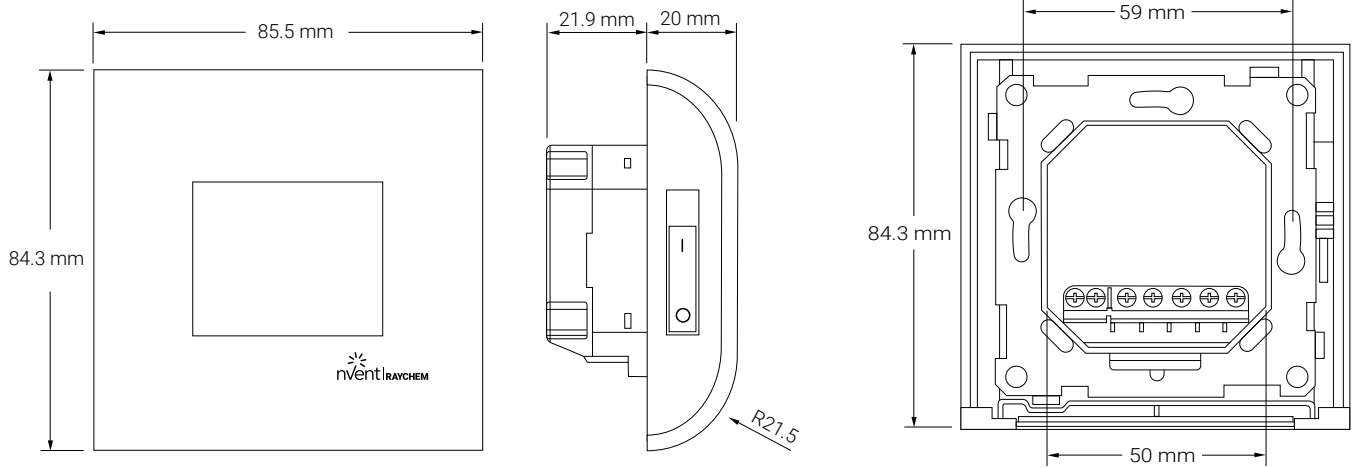
Total heating circuits > 13 Amps constant wattage cable or exceeding 100 meter of T2Red



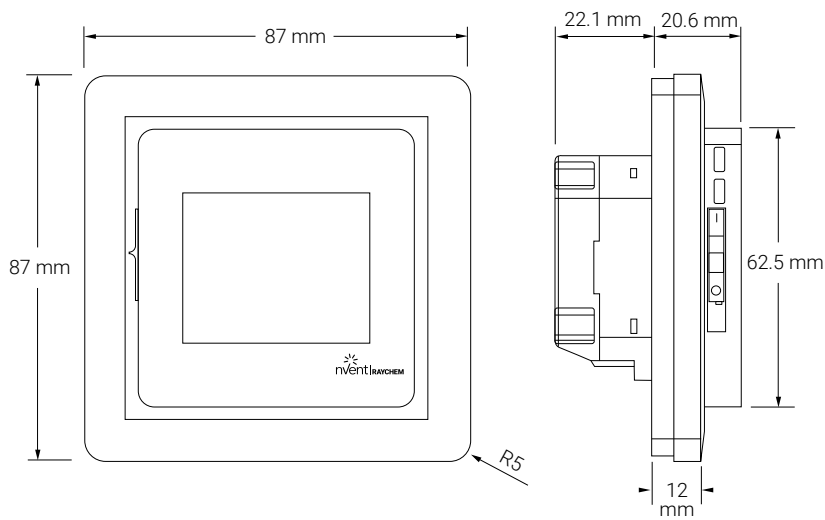
K1: contactor with integral suppression device

DIMENSION DRAWINGS

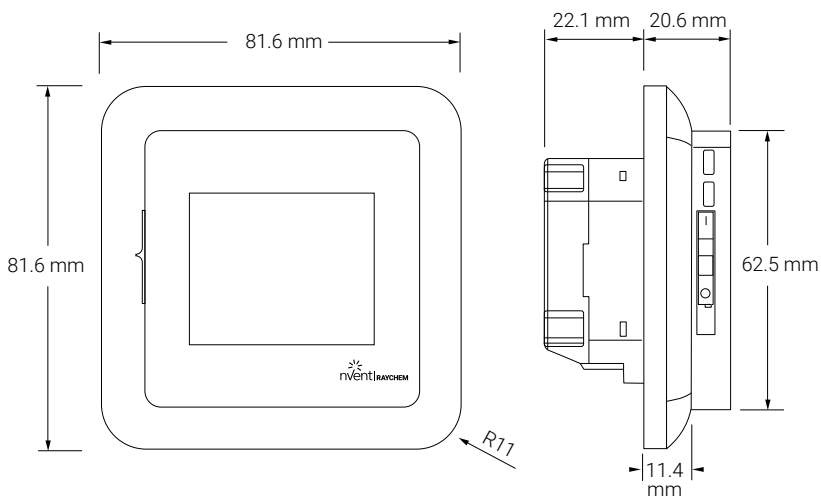
Dimension Drawings – nVent RAYCHEM Frame



Dimension Drawings – Square Frame



Dimension Drawings – Round frame



ORDERING INFORMATION

Thermostat	R-SENZ-WIFI	1244-017778
IP44 Gasket	R-SENZ-ACC-IP44GASKET	1244-017779
Silver colored front and Schneider Exxact frame	R-SENZ-ACC-METALFRONT	1244-017780
Anthracite colored front and Schneider Exxact frame	R-SENZ-ACC-ANTHRACITEFRONT	1244-017781
Spare sensor	U-ACC-PP-14-SENSOR-N10K*	1244-002952
White Schneider Exxact frame	R-SENZ-ACC-WHITEFRAME	1244-018579
RAL9010 White colored front	R-SENZ-ACC-WHITE-RAL9010	1244-019771

* If the 1244-002952 spare sensor is used, the sensor type needs to be set to 10kΩ in the sensor settings menu (Settings Menu / Settings / Advanced / Sensor Type)

United Kingdom

Tel 0800 969 013
Fax 0800 968 624
salesthermalUK@nVent.com

Ireland

Tel 1800 654 241
Fax 1800 654 240
salesIE@nVent.com

South East Asia

Tel +65 67685800
Fax +65 67322263

Australia

Tel +61 2 97920250
Fax +61 2 97745931

India - Noida

Tel +91 120 464 9500
Fax +91 120 464 9548
NTMinfome@nVent.com

India - Mumbai

Tel +91 22 6775 8800/01
Fax +91 22 2556 1491
NTMinfome@nVent.com

UAE

Tel +971 4 378 1700
Fax +971 4 378 1777
NTMinfome@nVent.com



Our powerful portfolio of brands:

CADDY ERICO HOFFMAN RAYCHEM SCHROFF TRACER