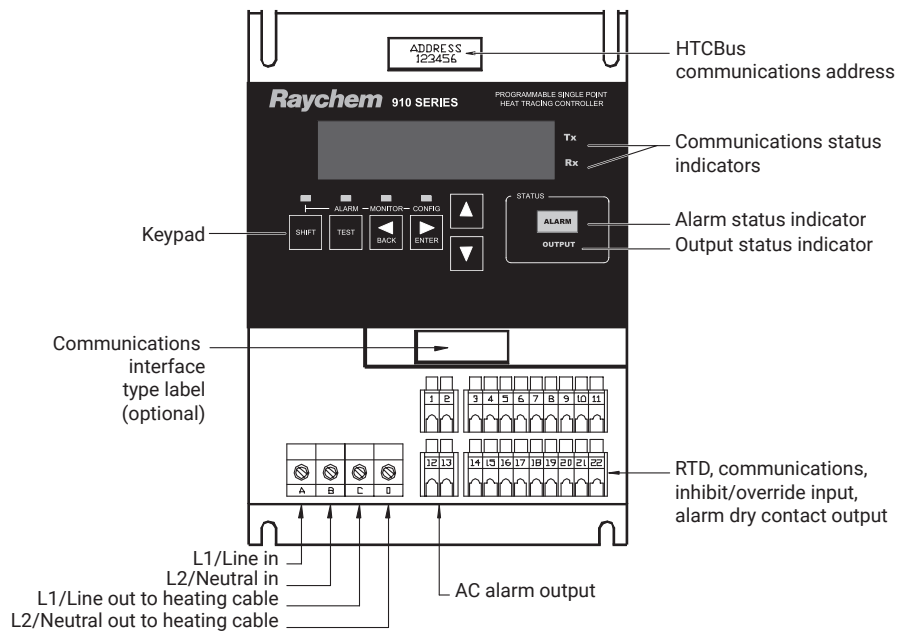


910 QUICK START GUIDE



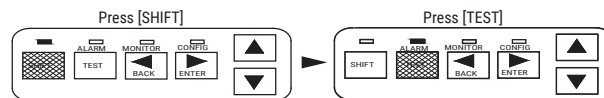
FOUR MODES OF OPERATION

SCAN

Default mode displayed during normal operation. The console sequentially displays load current, temperature, and setpoint readings.

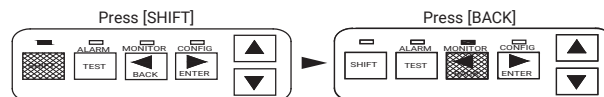
ALARM

Examine or reset any alarms that may exist. The LED above the **ALARM** key is illuminated while in this mode.



MONITOR

Examine any of the controller readings such as temperature, load current, etc. The LED above the **MONITOR** key is illuminated while in this mode.



CONFIGURE

Access the console menus to examine or alter the settings. The LED above the **CONFIG** key is illuminated while in this mode.



Reference the manual for complete installation instructions.

North America

Tel +1.800.545.6258
Fax +1.800.527.5703
thermal.info@nvent.com

Europe, Middle East, Africa

Tel +32.16.213.511
Fax +32.16.213.604
thermal.info@nvent.com

Asia Pacific

Tel +86.21.2412.1688
Fax +86.21.5426.3167
cn.thermal.info@nvent.com

Latin America

Tel +1.713.868.4800
Fax +1.713.868.2333
thermal.info@nvent.com



nVent.com

Our powerful portfolio of brands:

CADDY ERICO HOFFMAN RAYCHEM SCHROFF TRACER