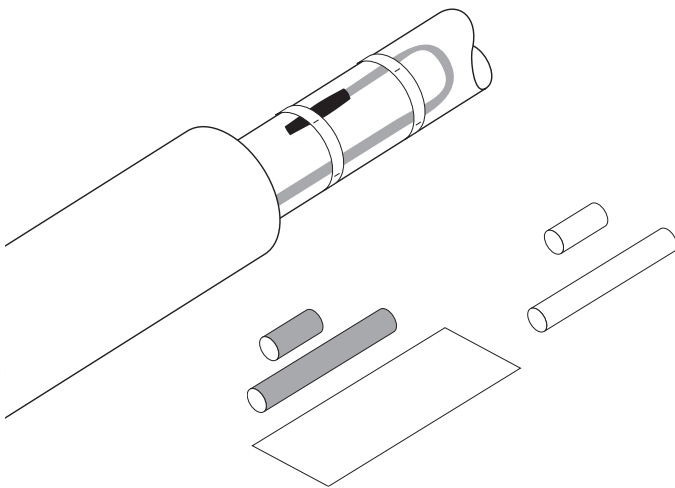


# E-20 and E-40

## CONNECT AND PROTECT

### Heat-shrink under insulation end seal kits



These end seal kits are designed for the termination of nVent RAYCHEM BTV, QTVR, XTV, KTV, HTV and VPL self-regulating heating cables.

The nVent RAYCHEM E-20 is designed for use with BTV and QTVR heating cables and the nVent RAYCHEM E-40 is designed for use with XTV, KTV, HTV and VPL heating cables. All kits are approved for use in hazardous areas.

The end seal kit E-20 employs easy to use heat-shrinkable tubing with an adhesive, that when heated forms a semi-flexible moisture proof encapsulation. The end seal kit E-40 employs high temperature heat-shrinkable tubing with a plastic melt liner that when heated forms a semi-flexible moisture proof encapsulation. Due to the low profile design, the finished termination can be installed directly on the pipe.

One end seal kit is required for each termination.

#### APPLICATION

	E-20	E-40
	End seal for BTV and QTVR self-regulating heating cables	End seal for XTV, KTV and HTV self-regulating and VPL power-limiting heating cables

#### KIT CONTENTS

	Heat-shrinkable adhesive coated sleeves Installation instruction Aluminum tape	Heat-shrinkable sleeves Installation instruction
--	--	---

#### APPROVALS

E-20 and E-40 are certified as integrated components to IEC IEEE 60079-30-1, C22.2 No. 60079-30-1 and UL 60079-30-1 for Zone 1, Zone 21 and Division 2. Refer to heating system certificate for details.

#### PRODUCT SPECIFICATIONS

	E-20	E-40
Maximum exposure temperature	110°C (230°F)	260°C (500°F)
Final dimensions	Length approximately 120 mm Diameter approximately 20 mm	Length approximately 120 mm Diameter approximately 20 mm
Minimum ambient temperature	-60°C (-76°F)	-60°C (-76°F)

#### INSTALLATION DETAILS

Gas torch or equivalent	Minimum 1460 W hot air gun	Minimum 3000 W hot air gun*
Minimum installation temperature	-20°C (-4°F)	-60°C (-76°F)

## ORDERING INFORMATION

Part description	E-20	E-40
PN (Weight)	1244-022489 (0.03 kg)	1244-022491 (0.06 kg)

\*The installation of the E-40 requires a high power heat gun and an experienced installer.

### North America

Tel +1.800.545.6258  
Fax +1.800.527.5703  
thermal.info@nVent.com

### Europe, Middle East, Africa

Tel +32.16.213.502  
Fax +32.16.213.604  
thermal.info@nVent.com

### Asia Pacific

Tel +86.21.2412.1688  
Fax +86.21.5426.3167  
cn.thermal.info@nVent.com

### Latin America

Tel +1.713.868.4800  
Fax +1.713.868.2333  
thermal.info@nVent.com



Our powerful portfolio of brands:

**CADDY ERICO HOFFMAN RAYCHEM SCHROFF TRACER**