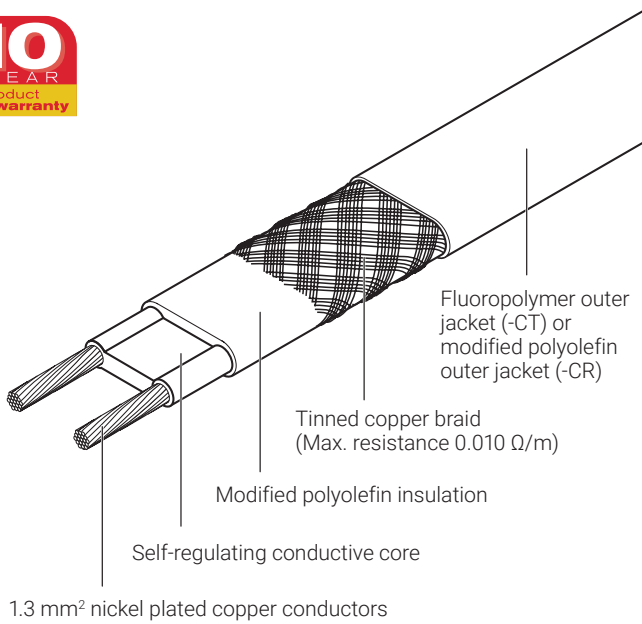


### Self-regulating Heating Cable

#### HEATING CABLE CONSTRUCTION



Electrical heat-tracing for frost protection without steam cleaning. The nVent RAYCHEM BTV-family of self-regulating, parallel circuit heating cables is used for frost protection of pipes and vessels. It can also be used for process temperature maintenance up to 65°C.

#### APPLICATION

Area classification	Hazardous, Zone 1, Zone 2 (Gas), Zone 21, Zone 22 (Dust) Ordinary
Traced surface type	Carbon steel Stainless steel Plastic Painted or unpainted metal
Chemical resistance	For organic corrosives: use -CT (fluoropolymer outer jacket) For mild inorganic solutions: use -CR (modified polyolefin outer jacket) For aggressive organics and corrosives consult your local nVent representative

#### SUPPLY VOLTAGE

230 Vac (Contact your local nVent representative for data on other voltages)

## APPROVALS\*

SGS20ATEX0048X

Ex II 2 G Ex 60079-30-1 eb IIC T6 Gb or Ex 60079-30-1 eb mb IIC T6 Gb

Ex II 2 G Ex 60079-30-1 tb IIIC T80°C or Ex 60079-30-1 mb tb IIIC T80°C

Tmin -60°C

IECEx BAS 20.0011X

Ex 60079-30-1 eb IIC T6 Gb or Ex 60079-30-1 eb mb IIC T6 Gb

Ex 60079-30-1 tb IIIC T80°C or Ex 60079-30-1 mb tb IIIC T80°C

Tmin -60°C

The BTV heating cables are approved by DNV for use on ships and mobile offshore units.

DNV Certificate No. DNV-GL TAE00000TU



TC RU C-BE.MЮ62.B.00054/18

1Ex e IIC T6 Gb X 1Ex e mb II C T6 Gb X

Ex tb IIIC T80°C Db X Ex tb mb IIIC T80°C Db X

Ta -60°C...+56°C IP66

ООО "ТехИмпорт"



Ex e IIC T6 Gb

Ex tD A21 IP66 T80°C

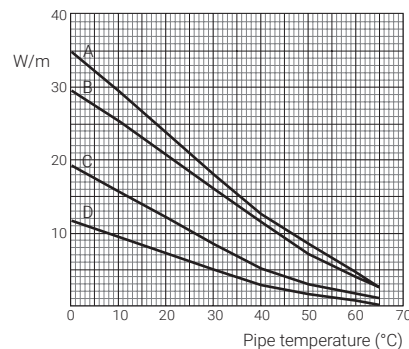
## SPECIFICATIONS

Maximum maintain or continuous exposure temperature (power on/off)	65°C
Maximum intermittent exposure temperature (power on/off)	85°C Maximum cumulative exposure 1000 hours
Temperature classification	T6
Minimum installation temperature	-60°C
Minimum bend radius	-60°C ≤ T < -20°C: 35 mm -20°C ≤ T < -10°C: 30 mm -10°C ≤ T < 0°C: 25 mm 0°C ≤ T < +10°C: 20 mm T ≥ +10°C: 12 mm

## THERMAL OUTPUT RATING

Nominal power output at 230 Vac on insulated steel pipes

- A 10BTV2-CT**  
**10BTV2-CR**
- B 8BTV2-CT**  
**8BTV2-CR**
- C 5BTV2-CT**  
**5BTV2-CR**
- D 3BTV2-CT**  
**3BTV2-CR**



	3BTV2-CR 3BTV2-CT	5BTV2-CR 5BTV2-CT	8BTV2-CR 8BTV2-CT	10BTV2-CR 10BTV2-CT
Nominal power output (W/m at 10°C)	9	16	25	29

## PRODUCT DIMENSIONS (NOMINAL) AND WEIGHT

	3BTV2-CR 3BTV2-CT	5BTV2-CR 5BTV2-CT	8BTV2-CR 8BTV2-CT	10BTV2-CR 10BTV2-CT
Thickness (mm)	5.5	5.5	5.5	5.5
Width (mm)	10.5	10.5	15.4	15.4
Weight (g/m)	110	110	153	153

## MAXIMUM CIRCUIT LENGTH BASED ON TYPE 'C' CIRCUIT BREAKERS ACCORDING TO EN 60898

Electrical protection sizing	Start-up temperature	Maximum heating cable length per circuit (m)			
16 A	-20°C	155	110	70	45
	+10°C	200	160	110	65
20 A	-20°C	195	140	90	55
	+10°C	200	160	125	85
25 A	-20°C	200	160	110	70
	+10°C	200	160	125	105
32 A	-20°C	200	160	125	90
	+10°C	200	160	125	110

The above numbers are for circuit length estimation only. For more detailed information please use the nVent RAYCHEM TraceCalc software or Contact your local nVent representative. nVent requires the use of a 30 mA residual current device to provide maximum safety and protection from fire. Where design results in higher leakage current, the preferred trip level for adjustable devices is 30 mA above any inherent capacitive leakage characteristic of the heater as specified by the trace heater supplier or alternatively, the next common available trip level for non adjustable devices, with a maximum of 300 mA. All safety aspects need to be proven.

### ORDERING DETAILS

Part description	3BTV2-CR	5BTV2-CR	8BTV-2-CR	10BTV2-CR
Part No. (*)	914279-000	414809-000	479821-000	677245-000
Part description	3BTV2-CT	5BTV2-CT	8BTV-2-CT	10BTV2-CT
Part No. (*)	469145-000	487509-000	008633-000	567513-000

### COMPONENTS

nVent offers a full range of components for power connections, splices and end seals. These components must be used to ensure proper functioning of the product and compliance with electrical requirements.

(\*) Localized versions may exist with limited approvals and different part numbers. Contact your local sales representative

#### North America

Tel +1.800.545.6258  
 Fax +1.800.527.5703  
[thermal.info@nVent.com](mailto:thermal.info@nVent.com)

#### Europe, Middle East, Africa

Tel +32.16.213.502  
 Fax +32.16.213.604  
[thermal.info@nVent.com](mailto:thermal.info@nVent.com)

#### Asia Pacific

Tel +86.21.2412.1688  
 Fax +86.21.5426.3167  
[cn.thermal.info@nVent.com](mailto:cn.thermal.info@nVent.com)

#### Latin America

Tel +1.713.868.4800  
 Fax +1.713.868.2333  
[thermal.info@nVent.com](mailto:thermal.info@nVent.com)



Our powerful portfolio of brands:

**CADDY ERICO HOFFMAN RAYCHEM SCHROFF TRACER**